

Roger™ Touchscreen Mic 3

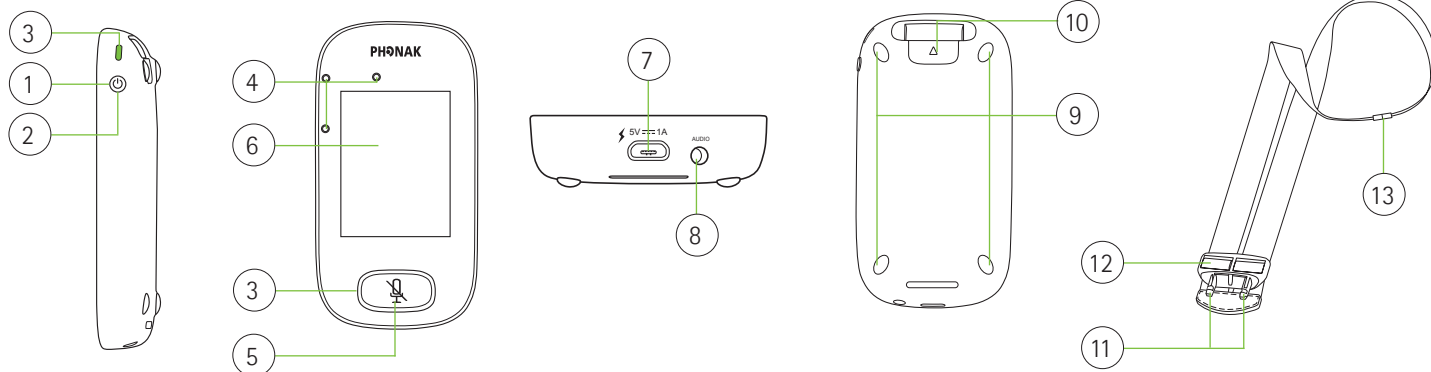
Technical data.



Roger Touchscreen Mic is an intuitive microphone that wirelessly transmits teachers' and classmates' voices directly to children's hearing aids or cochlear implants. It facilitates full classroom interaction by allowing multiple microphones and media devices to be connected.

Technical data

Type	Roger microphone
Dimensions (L x W x H)	104 x 55 x 16 mm (4.1" x 2.1" x 0.6")
Weight	94 g (0.2 lbs)
Color options	Champagne/black
Included accessories	Power supply with USB cable, analog audio cable, recording cable, lanyard, pouch
Operating conditions	0° to + 45° Celsius (+32° to +113° Fahrenheit) Relative humidity of <95% (non-condensing)
Transport and storage conditions	-20° to +60° Celsius (-4° to +140° Fahrenheit) Relative humidity of 90% for a long period of time



Device description

1	On/Off	8	Jack 3.5mm/1/8
2	Wake/Sleep	9	Feet
3	Indicator light	10	Lanyard clip/remove button
4	Microphones	11	Lanyard clip
5	Mute	12	Length adjustment
6	Touchscreen display	13	Safety breakaway
7	Micro-USB		

Features

- Easy swipe technology for effortless navigation of menu options and functions displayed on a large (6.1 cm/2.4") touchscreen.
- Intuitive indicator lights for easy monitoring and understanding of device status.
- Automatic microphones that intelligently switch from an individual talker to a small group interaction mode, depending on its placement.
- Continuous estimation of surrounding noise, automatically optimizing volume to ensure that speech remains loud and clear.
- Several Roger wireless microphones can be used together (MultiTalker Network), providing children access to multiple talkers.

Microphone characteristics

Number of microphones	3
Microphone modes	Automatic, Small group, Pointing, Lanyard
Accelerometer	Detects and monitors the microphone position, allowing to automatically activate the appropriate microphone mode

Radio information

Streaming technology	Roger technology
Frequency range	2.4 GHz ISM band including adaptive automatic frequency hopping
RF power	100 mW
Transmission range (clear line of sight, free field)	Up to 120 meters / 393 feet (to hearing device with RogerDirect™) Up to 25 meters / 80 feet (to Roger receiver)

Audio information

Audio input	Wired (3.5mm jack)
Audio bandwidth	100 Hz – 7.3 kHz

Power supply and battery information

Battery	Lithium Polymer 3.7 V DC
Charging time	Approx. 2 hours – Charging time depends on battery state
Capacity	1200 mAh
Operating time	Approx. 10 hours – Remaining operating time is displayed in the status bar
Charging input	Input: 100 - 240 V Output: 5 VDC/1A Connector: Micro-USB The battery cannot be over-charged. It may become warm during charging.
Important notice	Use the original Phonak charging unit only

Compatibility to Roger devices

Compatible Roger receivers	(02) Roger receivers
Max. connected receivers	Unlimited
Compatible Roger microphones	Roger Touchscreen Mic Roger Pass-around Roger Inspiro* Roger DynaMic*
Max. connected Roger microphones	35
Compatible Roger hubs	Roger Multimedia Hub Roger Inspiro AudioHub*
Max. connected Roger hub	1
Compatible Roger SoundField systems	Roger DigiMaster 5000, Roger DigiMaster 7000, Roger DigiMaster X (software version 4.x or higher)
Max. connected Roger SoundField systems	1x Roger DigiMaster 5000 20x Roger DigiMaster 7000 5x Roger DigiMaster X
Compatible Roger WallPilot	Roger WallPilot

* Some new features for Roger Touchscreen Mic might not be available on previous Roger transmitters

Optional accessories

Charging rack (L x W x H)	188 x 75 x 28 mm (7.4" x 2.9" x 1.1") 4-slot design to charge up to four devices. It accommodates Roger Touchscreen Mic, Roger Pass-around, and Roger Multimedia Hub
Other	Carrying case, protection covers (black/green) and head-worn boom microphone with belt clip
Power supply adapter	UK, AUS

Standards

Electrical safety	IEC/ EN 62368-1
Radiocom 2.4 GHz	EN 300 328
EMC	EN 301.489-1,-3,-9,-1
SAR (2.4 GHz)	EN 62209-2